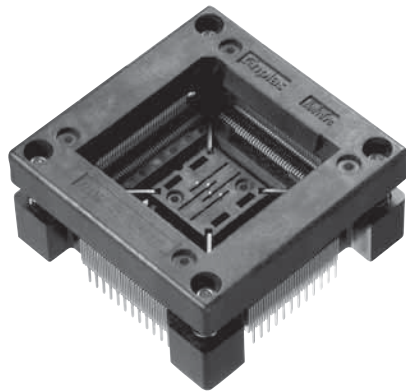


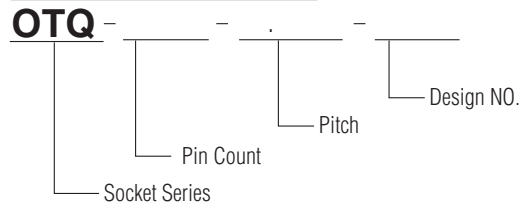
# QFP

## QUAD FLAT PACKAGE



Better air flow.  
Vertical actuation is ideal for automation.  
Zero insertion force.  
Live bug.

### ORDERING PROCEDURE

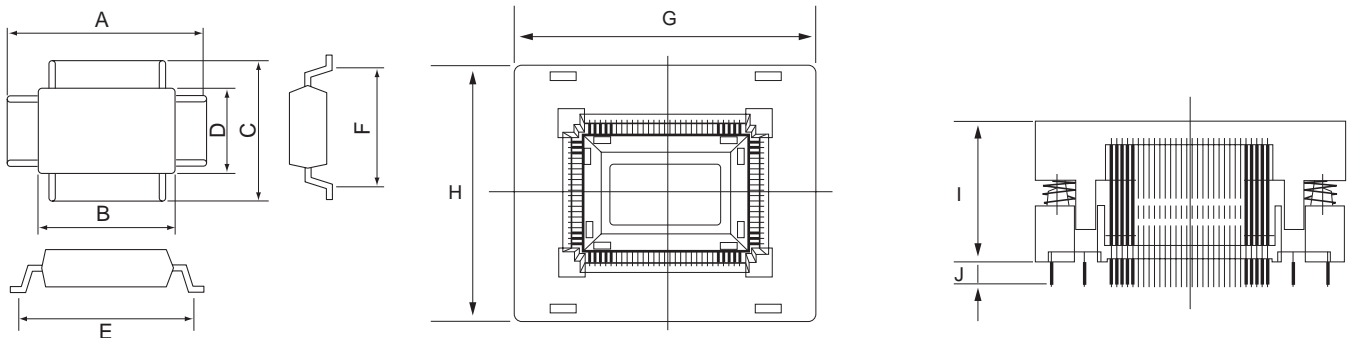


| Specification / 仕様                          |   |
|---|---|
| Contact resistance(Initial)<br>接触抵抗(初期値)    | 100m (At 10 mA)   |
| Maximum voltage<br>耐電圧                      | AC700V RMS (for 1 minute)<br>Below 0.5mm Pitch<br>AC500V RMS (for 1 minute) |
| Insulation resistance<br>絶縁抵抗               | 1,000M or higher (AC DC 500V)   |
| Rated current<br>許容電流値                      | 1A  |
| Operating temperature range<br>仕様温度         | - 65 ~ + 150  |
| Terminal strength against pulling<br>端子抜け強度 | 0.5kg (1 min)   |
| Insertion<br>機械寿命                           | Min. 10,000 times (mechanical)  |
| MATERIAL / 材質                               |   |
| Body<br>本体                                  | PEI, PES  |
| Contact<br>コンタクトピン                          | BeCu, Au plating (Ni-base)  |

RoHS compliant

PINCH CONTACT: Patent No. 1869849 (Japan) Patent No. 4691975 (U.S.A)

## APPLICABLE IC DIMENSIONS & SOCKET DIMENSIONS





# Applicable IC/QFPT · QFP OPEN TOP TYPE SOCKET

## Side Loaded Type

Unit: mm (in)

| PART NO.            | PIN COUNT | PITCH            | ACTUATION FORCE | APPLICABLE IC DIMENSIONS (REF.) |                      |                     |                      |                      |                      | OUTSIDE DIMENSIONS (REF.) |                 |                      |                | REMARKS    |
|---------------------|-----------|------------------|-----------------|---------------------------------|----------------------|---------------------|----------------------|----------------------|----------------------|---------------------------|-----------------|----------------------|----------------|------------|
|                     |           |                  |                 | A                               | B                    | C                   | D                    | E                    | F                    | G                         | H               | I                    | J              |            |
| OTQ-64-0.4-01       | 64        | 0.4<br>(15.7mil) | max<br>1.7kg    | 9 ± 0.1<br>(0.354)              | 7 ± 0.03<br>(0.276)  | 9 ± 0.1<br>(0.354)  | 7 ± 0.03<br>(0.276)  | 8 ± 0.05<br>(0.315)  | 8 ± 0.05<br>(0.315)  | 24<br>(0.945)             | 24<br>(0.945)   | 19 ± 0.5<br>(0.748)  | 3<br>(0.118)   | TQFP       |
| OTQ-64-0.4-02       | 64        | 0.4<br>(15.7mil) | max<br>1.7kg    |                                 |                      |                     |                      |                      |                      |                           |                 |                      |                | LQFP       |
| OTQ-64G-0.4-03      | 64        | 0.4<br>(15.7mil) | max<br>1.7kg    | 9 ± 0.1<br>(0.354)              | 7 ± 0.03<br>(0.276)  | 9 ± 0.1<br>(0.354)  | 7 ± 0.03<br>(0.276)  | 8 ± 0.05<br>(0.315)  | 8 ± 0.05<br>(0.315)  | 24<br>(0.945)             | 24<br>(0.945)   | 19 ± 0.5<br>(0.749)  | 3<br>(0.118)   | Ground Pin |
| OTQ-64SG-0.5- **    | 64        | 0.5              |                 | 12                              | 10                   | 12                  | 10                   |                      |                      | 26.2                      | 26.6            | 16.5                 | 2.6            | Ground Pin |
| OTQ-80S-0.5-001     | 80        | 0.5              | max<br>2.2kg    | 14 ± 0.1<br>(0.552)             | 12 ± 0.03<br>(0.412) | 14 ± 0.1<br>(0.552) | 12 ± 0.03<br>(0.412) |                      |                      | 29<br>(1.142)             | 29<br>(1.142)   | 16.5<br>(0.650)      | 2.6<br>(0.102) |            |
| OTQ-100S-0.5-001    | 100       | 0.5<br>(19.6mil) | max<br>2.5kg    | 16 ± 0.1<br>(0.63)              | 14 ± 0.03<br>(0.552) | 16 ± 0.1<br>(0.63)  | 14 ± 0.03<br>(0.552) | 15 ± 0.1<br>(0.591)  | 15 ± 0.1<br>(0.591)  | 31.9<br>(1.257)           | 31.9<br>(1.257) | 16.5<br>(0.65)       | 2.6<br>(0.102) |            |
| OTQ-128S-0.4-001    | 128       | 0.4              |                 | 16                              | 14                   | 16                  | 14                   |                      |                      | 34                        | 34              | 19                   | 3              |            |
| OTQ-128SG-0.4-001   | 128       | 0.4              |                 |                                 |                      |                     |                      |                      |                      |                           |                 |                      |                | Ground Pin |
| OTQ-144S-0.5-001    | 144       | 0.5<br>(19.6mil) | max<br>3.8kg    | 22 ± 0.1<br>(0.866)             | 20 ± 0.05<br>(0.788) | 22 ± 0.1<br>(0.866) | 20 ± 0.05<br>(0.788) | 21 ± 0.1<br>(0.827)  | 21 ± 0.1<br>(0.827)  | 37<br>(1.4578)            | 37<br>(1.4578)  | 16.5 ± 0.5<br>(0.65) | 2.6<br>(0.102) |            |
| OTQ-144SG-0.5-001   | 144       | 0.5<br>(19.6mil) | max<br>4.0kg    | 22 ± 0.1<br>(0.866)             | 20 ± 0.05<br>(0.788) | 22 ± 0.1<br>(0.866) | 20 ± 0.05<br>(0.788) | 21 ± 0.1<br>(0.827)  | 21 ± 0.1<br>(0.827)  | 37<br>(1.4578)            | 37<br>(1.4578)  | 16.5 ± 0.5<br>(0.65) | 2.6<br>(0.102) | Ground Pin |
| OTQ-176-0.5-06      | 176       | 0.5<br>(19.6mil) | max<br>3.3kg    | 26 ± 0.1<br>(1.024)             | 24 ± 0.03<br>(0.945) | 26 ± 0.1<br>(1.024) | 24 ± 0.03<br>(0.945) | 25 ± 0.1<br>(0.984)  | 25 ± 0.1<br>(0.984)  | 36<br>(1.42)              | 36<br>(1.42)    | 17.1<br>(0.673)      | 2.2<br>(0.087) |            |
| OTQ-176S-0.5-001    | 176       | 0.5              |                 | 26                              | 24.5                 | 26                  | 24.5                 |                      |                      | 41                        | 41              | 16.5                 | 2.6            |            |
| OTQ-176SG-0.5-001   | 176       | 0.5              |                 | 26                              | 24.5                 | 26                  | 24.5                 |                      |                      | 41                        | 41              | 16.5                 | 2.6            | Ground Pin |
| OTQ-208SG-0.5-001   | 208       | 0.5              |                 | 30                              | 28                   | 30                  | 28                   |                      |                      | 45                        | 45              | 16.5                 | 2.6            | Ground Pin |
| OTQ-216(220)-0.4-01 | 216       | 0.4<br>(15.7mil) | max<br>5.0kg    | 26 ± 0.1<br>(1.024)             | 24 ± 0.03<br>(0.945) | 26 ± 0.1<br>(1.024) | 24 ± 0.03<br>(0.945) | 25 ± 0.05<br>(0.984) | 25 ± 0.05<br>(0.984) | 41<br>(1.614)             | 41<br>(1.614)   | 19 ± 0.5<br>(0.748)  | 3<br>(0.118)   |            |
| OTQ-216SG-0.4-001   | 216       | 0.4              |                 | 26                              | 24                   | 26                  | 24                   |                      |                      | 41                        | 41              | 19                   | 3              | Ground Pin |
| OTQ-256-0.4-01      | 256       | 0.4<br>(15.7mil) | max<br>5.0kg    | 30 ± 0.1<br>(1.182)             | 28 ± 0.03<br>(1.103) | 30 ± 0.1<br>(1.182) | 28 ± 0.03<br>(1.103) | 29 ± 0.05<br>(1.143) | 29 ± 0.05<br>(1.143) | 45<br>(1.773)             | 45<br>(1.773)   | 19 ± 0.5<br>(0.749)  | 3<br>(0.118)   |            |

