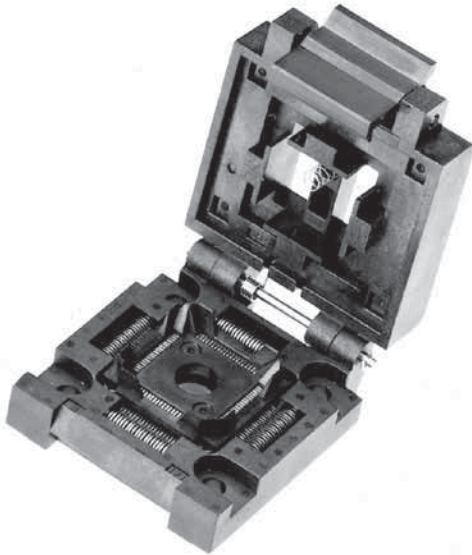


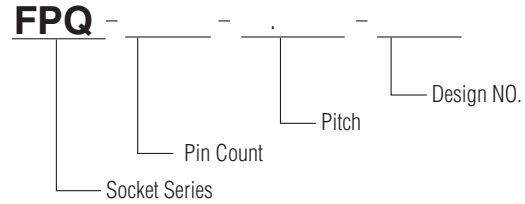
QFP

QUAD FLAT PACKAGE

Applicable IC/QFP • TQFP • MQFP • CQFP CLAM SHELL TYPE SOCKET



ORDERING PROCEDURE

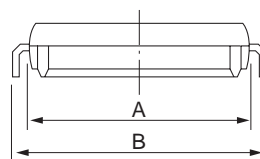
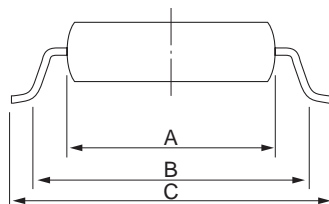


Specification / 仕様	
Contact resistance (Initial) 接触抵抗 (初期値)	30m (At 10 mA)
Maximum voltage 耐電圧	AC700V RMS (for 1 minute) Below 0.5mm Pitch AC500V RMS (for 1 minute)
Insulation resistance 絶縁抵抗	1,000M or higher (At DC 500V)
Rated current 許容電流値	1A
Operating temperature range 仕様温度	- 65 ~ + 150
Terminal strength against pulling 端子抜け強度	0.5kg (1 min)
Insertion 機械寿命	Min. 10,000 times (mechanical)

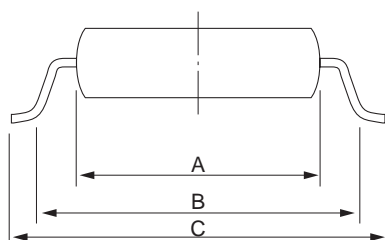
MATERIAL / 材質	
Body 本体	PPS or PEI, PES
Contact コンタクトピン	BeCu, Au plating (Ni-base)

RoHS compliant

APPLICABLE IC DIMENSIONS



APPLICABLE IC DIMENSIONS



Unit: mm (in.)

PART NO.	PIN COUNT	PITCH	APPLICABLE IC DIMENSIONS (REF.)			REMARKS
			A	B	C	
FPQ-32-0.65-01	32	0.65 (26mil)	7 × 7 (0.275 × 0.275)	8.2 × 8.2 (0.322 × 0.322)	9 × 9 (0.354 × 0.354)	
FPQ-36-0.8-01	36	0.8 (32mil)	10 × 7 (0.393 × 0.275)	11 × 8 (0.433 × 0.314)	12 × 9 (0.472 × 0.359)	
FPQ-44-0.8-06T	44	0.8 (32mil)	10 × 10 (0.393 × 0.393)	11.44 × 11.44 (0.450 × 0.450)	12.6 × 12.6 (0.496 × 0.496)	
FPQ-44-0.8-17	44	0.8 (32mil)	10 × 10 (0.393 × 0.393)	11.24 × 11.24 (0.442 × 0.442)	22.4 × 12.4 (0.488 × 0.488)	
FPQ-48-0.65-02	48	0.65 (26mil)	10 × 10 (0.393 × 0.393)	11.1 × 11.1 (0.437 × 0.437)	12.2 × 12.2 (0.480 × 0.480)	
FPQ-48-0.8-01	48	0.8 (32mil)	10 × 10 (0.393 × 0.393)	12.1 × 12.1 (0.476 × 0.476)	13.1 × 13.1 (0.515 × 0.515)	
FPQ-48-0.8-06	48	0.8 (32mil)	12 × 12 (0.472 × 0.472)	13 × 13 (0.511 × 0.511)	14.5 × 14.5 (0.570 × 0.570)	
FPQ-48-0.8-05	48	0.8 (32mil)	12 × 12 (0.472 × 0.472)	14.2 × 14.2 (0.559 × 0.559)	15.3 × 15.3 (0.602 × 0.602)	
FPQ-56-0.65-01	56	0.65 (26mil)	9.5 × 10.5 (0.374 × 0.413)	11.1 × 12.1 (0.437 × 0.476)	13.5 × 14.5 (0.531 × 0.570)	
FPQ-60-1.0-01	60	1.0 (39mil)	20 × 14 (0.787 × 0.551)	22 × 18 (0.866 × 0.708)	24 × 22 (0.944 × 0.787)	
FPQ-64-0.65-02	64	0.65 (26mil)	12 × 12 (0.472 × 0.472)	13.6 × 13.6 (0.535 × 0.535)	14.6 × 14.6 (0.574 × 0.574)	
FPQ-64-0.8-09A	64	0.8 (32mil)	14 × 14 (0.551 × 0.551)	15.6 × 15.6 (0.614 × 0.614)	16.6 × 16.6 (0.653 × 0.653)	Short Lead
FPQ-64-0.8-10A	64	0.8 (32mil)	14 × 14 (0.551 × 0.551)	15.6 × 15.6 (0.614 × 0.614)	17.2 × 17.26 (0.677 × 0.677)	
FPQ-64-1.0-08A	64	1.0 (39mil)	20 × 14 (0.787 × 0.551)	23 × 17 (0.905 × 0.905)	25.5 × 19.6 (1.007 × 0.771)	
FPQ-80-0.65-01A	80	0.65 (26mil)	14 × 14 (0.551 × 0.551)	16.2 × 16.2 (0.637 × 0.637)	17.2 × 17.2 (0.677 × 0.677)	
FPQ-80-0.65-05A	80	0.65 (26mil)	14 × 14 (0.551 × 0.551)	14.8 × 14.8 (0.582 × 0.582)	15.6 × 15.6 (0.614 × 0.614)	
FPQ-80-0.8-11A	80	0.8 (32mil)	20 × 14 (0.787 × 0.551)	22.4 × 16.4 (0.881 × 0.654)	24.8 × 18.8 (0.976 × 0.740)	

Applicable IC/QFP • TQFP • MQFP • CQFP

CLAM SHELL TYPE SOCKET

METRIC QFP STANDARD

Unit: mm (in.)

PART NO.	PIN COUNT	PITCH	APPLICABLE IC DIMENSIONS (REF.)			REMARKS
			A	B	C	
FPQ-44-0.8-16A	44	0.8 (32mil)	10 × 10 (0.393 × 0.393)	12 × 12 (0.474 × 0.474)	13.2 × 13.2 (0.519 × 0.519)	Short Lead
FPQ-44-0.8-14A	44	0.8 (32mil)	10 × 10 (0.393 × 0.393)	12.5 × 12.5 (0.492 × 0.492)	14.2 × 14.2 (0.599 × 0.599)	Long Lead
FPQ-44-0.8-14C	44	0.8 (32mil)	10 × 10 (0.393 × 0.393)	12.8 × 12.8 (0.503 × 0.503)	13.9 × 13.9 (0.547 × 0.547)	Long Lead
FPQ-52-0.65-02A	52	0.65 (26mil)	10 × 10 (0.393 × 0.393)	11.6 × 11.6 (0.456 × 0.456)	13.2 × 13.2 (0.519 × 0.519)	Short Lead
FPQ-52-0.65-01A	52	0.65 (26mil)	10 × 10 (0.393 × 0.393)	12.3 × 12.3 (0.484 × 0.484)	13.9 × 13.9 (0.547 × 0.547)	Long Lead
FPQ-52-0.65-04	52	0.65 (26mil)	10 × 10 (0.393 × 0.393)	11 × 11 (0.433 × 0.433)	12 × 12 (0.472 × 0.472)	
FPQ-64-0.8-13	64	0.8 (32mil)	14 × 14 (0.551 × 0.551)	15.6 × 15.6 (0.614 × 0.614)	17.2 × 17.2 (0.677 × 0.677)	Short Lead
FPQ-64-0.8-07	64	0.8 (32mil)	14 × 14 (0.551 × 0.551)	16.6 × 16.6 (0.653 × 0.653)	20 × 20 (0.787 × 0.787)	Long Lead
FPQ-80-0.65-02A	80	0.65 (26mil)	14 × 14 (0.551 × 0.551)	15.6 × 15.6 (0.614 × 0.614)	17.2 × 17.2 (0.677 × 0.677)	Short Lead
FPQ-80-0.8-12A	80	0.8 (32mil)	14 × 20 (0.551 × 0.787)	15.6 × 15.6 (0.614 × 0.614)	17.2 × 23.2 (0.677 × 0.913)	Short Lead
FPQ-80-0.8-13A	80	0.8 (32mil)	14 × 20 (0.551 × 0.787)	16.2 × 22.2 (0.637 × 0.874)	19.6 × 25.6 (0.771 × 1.007)	Long Lead
FPQ-100-0.65-16A	100	0.65 (26mil)	14 × 20 (0.551 × 0.787)	15.8 × 21.8 (0.622 × 0.858)	17.2 × 23.2 (0.677 × 0.913)	Short Lead
FPQ-100-0.65-11A	100	0.65 (26mil)	14 × 20 (0.551 × 0.787)	16.2 × 22.2 (0.637 × 0.874)	17.6 × 23.6 (0.693 × 0.929)	Long Lead
FPQ-120-0.8-03A	120	0.8 (32mil)	28 × 28 (1.102 × 1.102)	30.8 × 30.8 (1.212 × 1.212)	31.9 × 31.9 (1.256 × 1.256)	Long Lead
FPQ-120-0.8-04A	120	0.8 (32mil)	28 × 28 (1.102 × 1.102)	30.3 × 30.3 (1.193 × 1.193)	31.2 × 31.2 (1.228 × 1.228)	Short Lead
FPQ-128-0.8-04A	128	0.8 (32mil)	28 × 28 (1.102 × 1.102)	30.4 × 30.4 (1.197 × 1.197)	31.2 × 31.2 (1.228 × 1.228)	Short Lead
FPQ-128-0.8-03	128	0.8 (32mil)	28 × 28 (1.102 × 1.102)	30.6 × 30.6 (1.204 × 1.204)	31.9 × 31.9 (1.256 × 1.256)	Long Lead
FPQ-144-0.65-01A	144	0.65 (26mil)	28 × 28 (1.102 × 1.102)	30.3 × 30.3 (1.193 × 1.193)	31.2 × 31.2 (1.228 × 1.228)	Short Lead
FPQ-144-0.65-02A	144	0.65 (26mil)	28 × 28 (1.102 × 1.102)	30.9 × 30.9 (1.216 × 1.216)	31.9 × 31.9 (1.256 × 1.256)	Long Lead
FPQ-160-0.65-02A	160	0.65 (26mil)	28 × 28 (1.102 × 1.102)	30.6 × 30.6 (1.204 × 1.204)	32 × 32 (1.259 × 1.259)	Long Lead
FPQ-160-0.65-04A	160	0.65 (26mil)	28 × 28 (1.102 × 1.102)	30.5 × 30.5 (1.200 × 1.200)	32 × 32 (1.259 × 1.259)	Long Lead
FPQ-160-0.65-09A	160	0.65 (26mil)	28 × 28 (1.102 × 1.102)	30.5 × 30.5 (1.200 × 1.200)	32 × 32 (1.259 × 1.259)	Long Lead
FPQ-160-0.65-10	160	0.65 (26mil)	28 × 28 (1.102 × 1.102)	29.6 × 29.6 (1.165 × 1.165)	31.2 × 31.2 (1.228 × 1.228)	Short Lead
FPQ-208-0.5-06	208	0.5 (19.6mil)	28 × 28 (1.102 × 1.102)	29.8 × 29.8 (1.172 × 1.172)	30.6 × 30.6 (1.204 × 1.204)	Lead Guide
FPQ-208-0.5-09	208	0.5 (19.6mil)	28.25 × 28.25 (1.111 × 1.111)	29.6 × 29.6 (1.165 × 1.165)	30.6 × 30.6 (1.204 × 1.204)	Mold Guide
FPQ-304-0.5-04	304	0.5 (19.6mil)	40 × 40 (1.574 × 1.574)	41.6 × 41.6 (1.637 × 1.637)	42.6 × 42.6 (1.677 × 1.677)	Mold Guide

Unit: mm (in.)

PART NO.	PIN COUNT	PITCH	APPLICABLE IC DIMENSIONS (REF.)			REMARKS
			A	B	C	
FPQ-100-0.5-06A	100	0.5 (19.6mil)	14 × 14 (0.551 × 0.551)	16.1 × 16.1 (0.633 × 0.633)	17.2 × 17.2 (0.236 × 0.236)	
FPQ-100-0.65-10D	100	0.65 (26mil)	20 × 14 (0.787 × 0.551)	16.4 × 22.4 (0.645 × 0.881)	25 × 19 (0.984 × 0.748)	
FPQ-112-0.65-01	112	0.65 (26mil)	20 × 20 (0.787 × 0.787)	22 × 22 (0.866 × 0.866)	23.2 × 23.2 (0.913 × 0.913)	
FPQ-120-0.8-02	120	0.8 (32mil)	28 × 28 (1.102 × 1.102)	30.4 × 30.4 (1.196 × 1.196)	32 × 32 (1.259 × 1.259)	Two pieces
FPQ-124-0.8-01	124	0.8 (32mil)	28 × 28 (1.102 × 1.102)	30.5 × 30.5 (1.200 × 1.200)	31.2 × 31.2 (1.228 × 1.228)	
FPQ-128-0.5-01A	128	0.5 (19.6mil)	20 × 14 (0.787 × 0.551)	22.3 × 16.3 (0.878 × 0.642)	23.6 × 17.6 (0.929 × 0.693)	Mold Gulid
FPQ-128-0.5-03A	128	0.5 (19.6mil)	20 × 14 (0.787 × 0.551)	22.3 × 16.3 (0.878 × 0.642)	23.2 × 17.2 (0.913 × 0.677)	Mold Gulid
FPQ-120(128)-0.5-03A	120	0.5 (19.6mil)	28 × 28 (1.102 × 1.102)	30.6 × 30.6 (1.204 × 1.204)	33.2 × 33.2 (1.307 × 1.307)	
FPQ-128-0.8-02A	128	0.8 (32mil)				
FPQ-132-0.635-07C	132	0.635 (25mil)	22.15 × 22.15 (0.872 × 0.872)	26.45 × 26.45 (1.041 × 1.041)	27.75 × 27.75 (1.092 × 1.092)	CQUAD
FPQ-148-0.65-02	148	0.65 (26mil)	28 × 28 (1.102 × 1.102)	30.5 × 30.5 (1.200 × 1.200)	31.2 × 31.2 (1.228 × 1.228)	
FPQ-168-0.65-02	168	0.65 (26mil)	28 × 28 (1.102 × 1.102)	30 × 30 (1.181 × 1.181)	31.2 × 31.2 (1.228 × 1.228)	
FPQ-208-0.5-02	208	0.5 (19.6mil)	28 × 28 (1.102 × 1.102)	29.6 × 29.6 (1.165 × 1.165)	31.3 × 31.3 (1.232 × 1.232)	Long Lead
FPQ-240-0.5-02	240	0.5 (19.6mil)	31.64 × 31.64 (1.245 × 1.245)	33.6 × 33.6 (1.322 × 1.322)	34.6 × 34.6 (1.362 × 1.362)	MQUAD
FPQ-240-0.5-03	240	0.5 (19.6mil)	32 × 32 (1.102 × 1.102)	33.6 × 33.6 (1.322 × 1.322)	34.6 × 34.6 (1.362 × 1.362)	PQFP
FPQ-240-0.5-04	240	0.5 (19.6mil)	32 × 32 (1.102 × 1.102)	33.9 × 33.9 (1.362 × 1.362)	34.6 × 34.6 (1.362 × 1.362)	
FPQ-304-0.5-03	304	0.5 (19.6mil)	40 × 40 (1.574 × 1.574)	41.6 × 41.6 (1.637 × 1.637)	42.6 × 42.6 (1.677 × 1.677)	MQUAD
FPQ-304-0.5-05	304	0.5 (19.6mil)	40 × 40 (1.574 × 1.574)	41.6 × 41.6 (1.637 × 1.637)	42.6 × 42.6 (1.677 × 1.677)	CQFP
FPQ-304-0.5-07	304	0.5 (19.6mil)				

Applicable IC/QFP • TQFP • MQFP • CQFP

CLAM SHELL TYPE SOCKET

TQFP (2.0 mm Forming)

Unit: mm (in)

PART NO.	PIN COUNT	PITCH	APPLICABLE IC DIMENSIONS (REF.)			REMARKS
			A	B	C	
FPQ-32-0.8-01	32	0.8 (32mil)	7 × 7 (0.275 × 0.275)	8 × 8 (0.315 × 0.315)	9 × 9 (0.354 × 0.354)	with Floating
FPQ-44-0.8-19	44	0.8 (32mil)	10 × 10 (0.394 × 0.394)	11 × 11 (0.433 × 0.433)	12 × 12 (0.472 × 0.472)	with Floating
FPQ-44-1.0-04D	44	1.0 (39mil)	14 × 14 (0.551 × 0.551)	15 × 15 (0.590 × 0.590)	16 × 16 (0.630 × 0.630)	
FPQ-48-0.5-06	48	0.5 (19.6mil)	7 × 7 (0.275 × 0.275)	8 × 8 (0.315 × 0.315)	9 × 9 (0.354 × 0.354)	with Floating
FPQ-64-0.5-06	64	0.5 (19.6mil)	10 × 10 (0.394 × 0.394)	11 × 11 (0.433 × 0.433)	12 × 12 (0.472 × 0.472)	with Floating
FPQ-72-0.5-01	72	0.5 (19.6mil)	10 × 10 (0.394 × 0.394)	11 × 11 (0.433 × 0.433)	12 × 12 (0.472 × 0.472)	with Floating
FPQ-80-0.5-04	80	0.5 (19.6mil)	12 × 12 (0.472 × 0.472)	13 × 13 (0.512 × 0.512)	14 × 14 (0.551 × 0.551)	with Floating
FPQ-80-0.5-07	80	0.5 (19.6mil)	12.4 × 12.4 (0.488 × 0.488)	13.2 × 13.2 (0.519 × 0.519)	14 × 14 (0.551 × 0.551)	with Floating
FPQ-80-0.65-09A	80	0.65 (26mil)				with Floating
FPQ-100-0.5-10A	100	0.5 (19.6mil)	14 × 14 (0.551 × 0.551)	15 × 15 (0.590 × 0.590)	16 × 16 (0.630 × 0.630)	with Floating
FPQ-100-0.5-14	100	0.5 (19.6mil)				Floating second cover
FPQ-120(128)-0.5-05	120	0.5 (19.6mil)	16.5 × 16.5 (0.650)	17 × 17 (0.669)	18 × 18 (0.709)	with Floating
FPQ-128-0.5-08	128	0.5 (19.6mil)	14.4 × 20.4 (0.566 × 0.803)	15.1 × 21.1 (0.594 × 0.830)	16 × 22 (0.630 × 0.866)	with Floating
FPQ-144-0.5-03	144	0.5 (19.6mil)	20 × 20 (0.887 × 0.787)	21 × 21 (0.827 × 0.827)	22 × 22 (0.806 × 0.806)	Floating second cover
FPQ-208-0.5-10	208	0.5 (19.6mil)	28 × 28 (1.102 × 1.102)	29 × 29 (1.142 × 1.142)	30 × 30 (1.181 × 1.181)	Floating second cover

FINE PITCH QFP (0.4mm Pitch)

Unit: mm (in)

PART NO.	PIN COUNT	PITCH	APPLICABLE IC DIMENSIONS (REF.)			REMARKS
			A	B	C	
FPQ-80-0.4-01	80	0.4 (15.7mil)	10 × 10 (0.394 × 0.394)	11 × 11 (0.433 × 0.433)	12 × 12 (0.472 × 0.472)	Floating second cover
FPQ-120(128)-0.4-01	120	0.4 (15.7mil)	14 × 14 (0.551 × 0.551)	15 × 15 (0.590 × 0.590)	16 × 16 (0.629 × 0.629)	Floating pedestal
FPQ-120(128)-0.4-02	120	0.4 (15.7mil)	13.94 × 13.94 (0.545 × 0.545)	15 × 15 (0.590 × 0.590)	16 × 16 (0.629 × 0.629)	Floating second cover
FPQ-128-0.4-02	128	0.4 (15.7mil)	max 14.5 × 14.5 (0.570 × 0.570)	15 × 15 (0.590 × 0.590)	16 × 16 (0.629 × 0.629)	Floating pedestal
FPQ-144-0.4-01	144	0.4 (15.7mil)	16 × 16 (0.629 × 0.629)	17 × 17 (0.669 × 0.669)	18 × 18 (0.708 × 0.708)	Floating second cover
FPQ-176(184)-0.4-01	176	0.4 (15.7mil)	20 × 20 (0.787 × 0.787)	21 × 21 (0.826 × 0.826)	22 × 22 (0.866 × 0.866)	Floating pedestal
FPQ-184-0.4-01	184	0.4 (15.7mil)	20 × 20 (0.787 × 0.787)	21 × 21 (0.826 × 0.826)	22 × 22 (0.866 × 0.866)	Floating pedestal
FPQ-216-0.4-03	216	0.4 (15.7mil)	24 × 24 (0.984 × 0.984)	25 × 25 (0.984 × 0.984)	26 × 26 (1.024 × 1.024)	Floating second cover
FPQ-256-0.4-02	256	0.4 (15.7mil)	28 × 28 (1.102 × 1.102)	29.6 × 29.6 (1.165 × 1.165)	30.6 × 20.6 (1.024 × 1.024)	Floating pedestal Short Lead
FPQ-256-0.4-03	256	0.4 (15.7mil)	28 × 28 (1.102 × 1.102)	29.4 × 29.4 (1.158 × 1.158)	31.2 × 31.2 (1.228 × 1.228)	Floating pedestal Long Lead
FPQ-376-0.4-02	376	0.4 (15.7mil)	40 × 40 (1.675 × 1.675)	41.6 × 41.6 (1.638 × 1.638)	42.6 × 42.6 (1.677 × 1.677)	Floating second cover

