



TR97

MAIN FEATURES

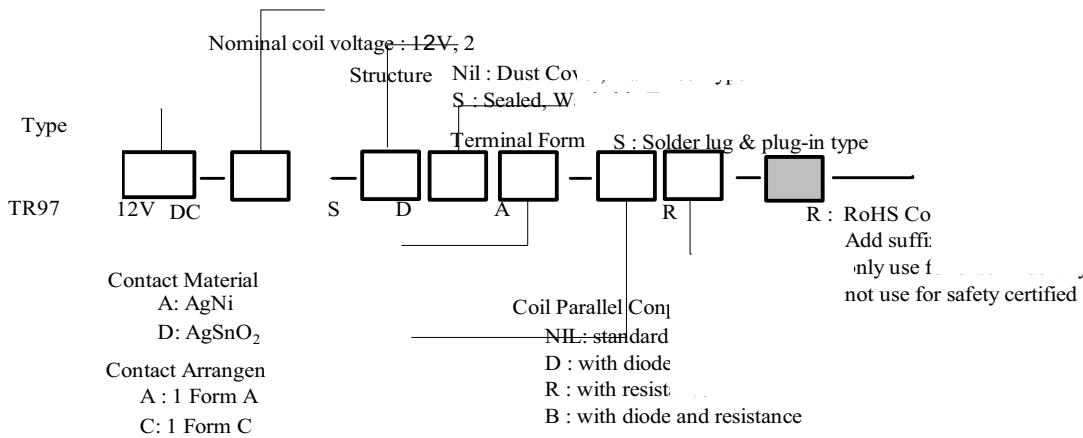
- Miniature;
- Contact load capacity up to 150A;
- Terminal types as inserting;



APPLICATIONS

- Suitable for automobile.

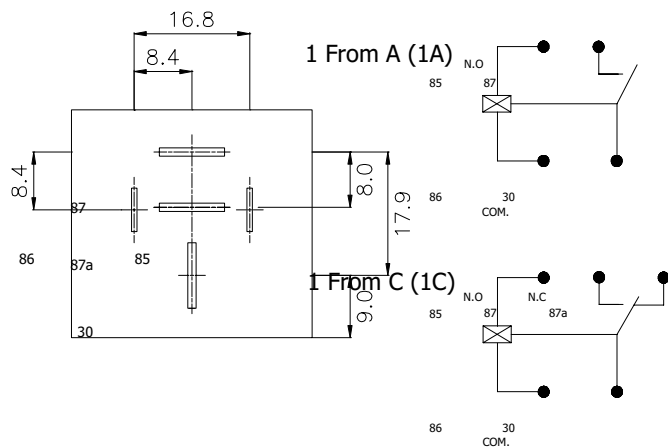
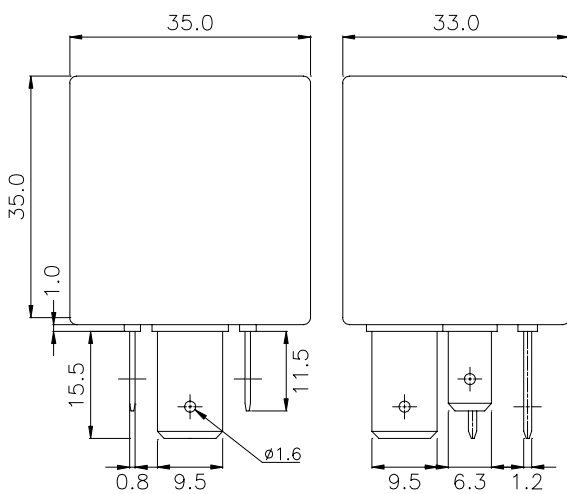
ORDERING INFORMATION



DIMENSION (unit:mm)

DRILLING (unit:mm)

WIRING DIAGRAM



大豪电子
 电话: 0755-83233025
<http://www.szdahao.com>
<http://www.very-tec.com>

■ COIL DATA CHART (AT20°C)

Coil Sensitivity	Coil Voltage (VDC) Rated	Nominal Current (mA)	Coil Resistance (Ω) $\pm 10\%$	Coil Power (W)	Pickup voltage (VDC) Max. (65% of rated voltage)	Release voltage (VDC) Min. (10% of rated voltage)	Coil Voltage (VDC) Max.
Sing Side Stable	12	240.0	50	2.9	7.8	1.2	15.6
	24	123.1	195		15.6	2.4	31.2

■ CONTACT RATING

Item	Type	TR97	
Contact Capacity Resistive Load (cos Φ =1)		1A	1C
		100A/12VDC	NO : 100A/12VDC NC : 70A/12VDC
Max. Switching Voltage		75VDC	
Max. Switching Current		100A	
Max. Switching Power Force		1200W	
Referenced Min. Applicable Load			
Contact Material		Ag Alloy	

■ PERFORMANCE (at initial value)

Item	Type	TR97
Contact Resistance		100m Ω
Operation Time		Approx. 10msec
Release Time		Approx. 5msec
Dielectric Strength		
Between open contacts		750VAC
Between coil & contact		1000VAC
Shock Resistance		
Functional		147m/s ² 11ms
Survival		147m/s ² 11ms
Vibration Resistance		
Functional		1.5mm D.A. 10 to 40Hz
Survival		1.5mm D.A. 10 to 40Hz
Terminals Strength		30N
Solderability		235°C \pm 2°C, 3 \pm 0.5s
Temperature Range		-40 ~125°C
Relative Humidity		85% (at 40°C)
Insulation Resistance		100 M Ω Min. (at 500VDC)
Life Expectancy		
Electrically		1 \times 10 ⁵ ops. Min.
Mechanically		1 \times 10 ⁷ ops. Min.
Weight		65g

This datasheet for reference and subject to change without notice. Please double check final specification with Tai-Shing.