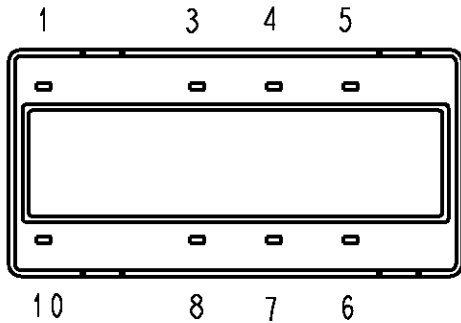
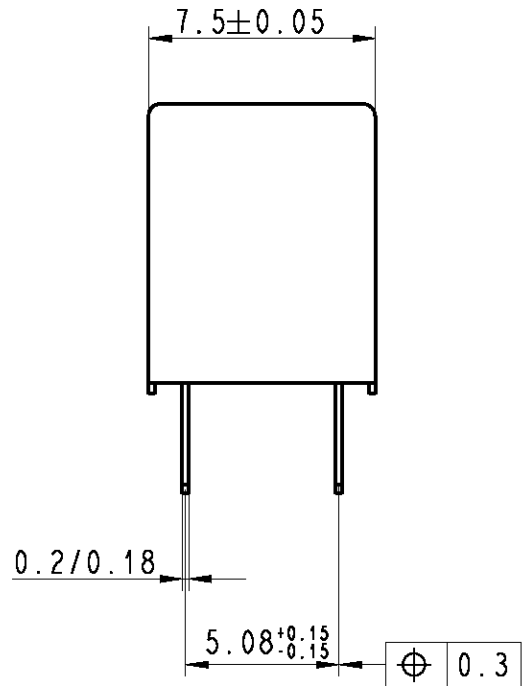
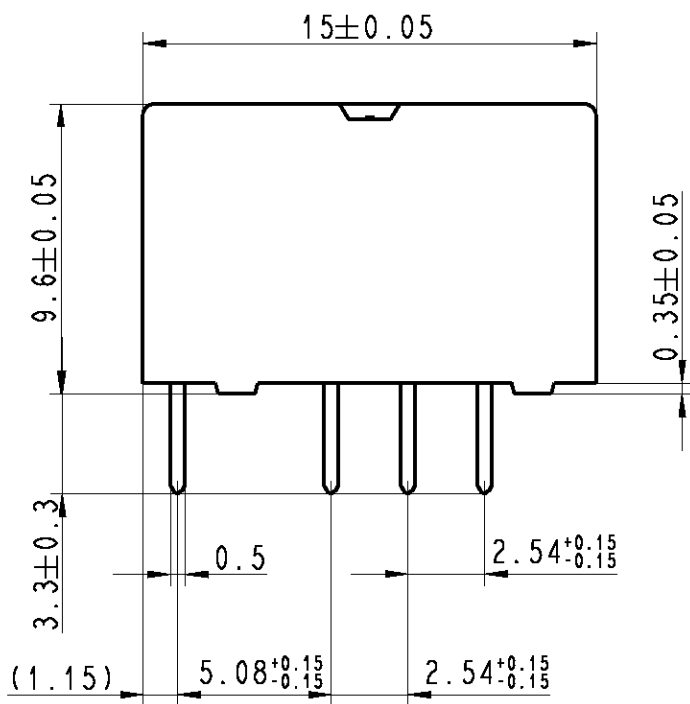


LOC HJ	DIST -	REVISIONS					
		P	LTR	DESCRIPTION	DATE	DWN	APVD
		A5		REVISED PER ECO-11-005150	28MAR11	RK	HMR

**大豪电子**  
 电话: 0755-83233025  
<http://www.szdahao.com>  
<http://www.very-tec.com>



Relay - bottom view



	<b>AXICOM</b>	
	<b>FT2</b>	<b>Dxxxx</b>
	<b>zzV=</b>	<b>YYWW</b>

xxxx = Relay type  
 zz = nominal voltage  
 YYWW = Date code

DRAWING ALIAS D3701-DOK51

RELEASED FOR PUBLICATION

ALL RIGHTS RESERVED.

THIS DRAWING IS UNPUBLISHED.

COPYRIGHT BY

DIMENSIONS: mm	DWN CW 9196 26Mar1998 CHK EG 9192 26Mar1998 APVD HD 9121 26Mar1998	MATERIAL - FINISH -			
TOLERANCES UNLESS OTHERWISE SPECIFIED: DIN 7168-m	PRODUCT SPEC - APPLICATION SPEC - WEIGHT -	<b>TE</b> TE Connectivity NAME FT2-Relay THT Dimensions			
0 PLC ±- 1 PLC ±- 2 PLC ±- 3 PLC ±- 4 PLC ±- ANGLES ±-	CUSTOMER DRAWING	SIZE A4 CAGE CODE 00779 DRAWING NO C-1462035-1	RESTRICTED TO -	SCALE 4:1 SHEET 1 OF 1 REV A5	

