

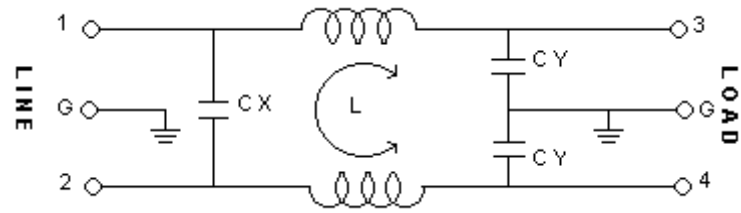
規格

項目 / 型號		YB01T1/YB01T3	YB03T1/YB03T3	YB06T1/YB06T3	YB10T1/YB10T3
額定電壓		125/250V AC	125/250V AC	125/250V AC	125/250V AC
額定電流		1A	3A	6A	10A
洩漏電流		0.8mA MAX 250V,50HZ	0.8mA MAX 250V,50HZ	0.8mA MAX 250V,50HZ	0.8mA MAX 250V,50HZ
耐電壓	線對線	1450V DC	1450V DC	1450V DC	1450V DC
	線對地	2250V DC	2250V DC	2250V DC	2250V DC
絕緣阻抗		100M ohm MIN 250VDC	100M ohm MIN 250VDC	100M ohm MIN 250VDC	100M ohm MIN 250VDC
直流阻抗		0.5 ohm MAX	0.2 ohm MAX	0.15 ohm MAX	0.1 ohm MAX
溫度上升		30C MAX	30C MAX	30C MAX	30C MAX
溫度使用範圍		-25 ~ +85C	-25 ~ +85C	-25 ~ +85C	-25 ~ +85C
CX		0.1uF Max	0.1uF Max	0.1uF Max	0.1uF Max
CY		3300pF Max	3300pF Max	3300pF Max	3300pF Max
電阻		1M,10M/ohm	1M,10M/ohm	1M,10M/ohm	1M,10M/ohm
電感值		3.7mH	1.8mH	0.7mH	0.3mH
衰減量	NORMAL MODE 25dbMIN	0.50 ~ 45MHZ	0.60 ~ 50MHZ	0.80 ~ 50MHZ	1.20 ~ 50MHZ
	COMMON MODE 25dbMIN	0.10 ~ 40MHZ	0.15 ~ 50MHZ	0.40 ~ 50MHZ	1.40 ~ 50MHZ

3. 衰減量 (0.1uF, 3300pF)

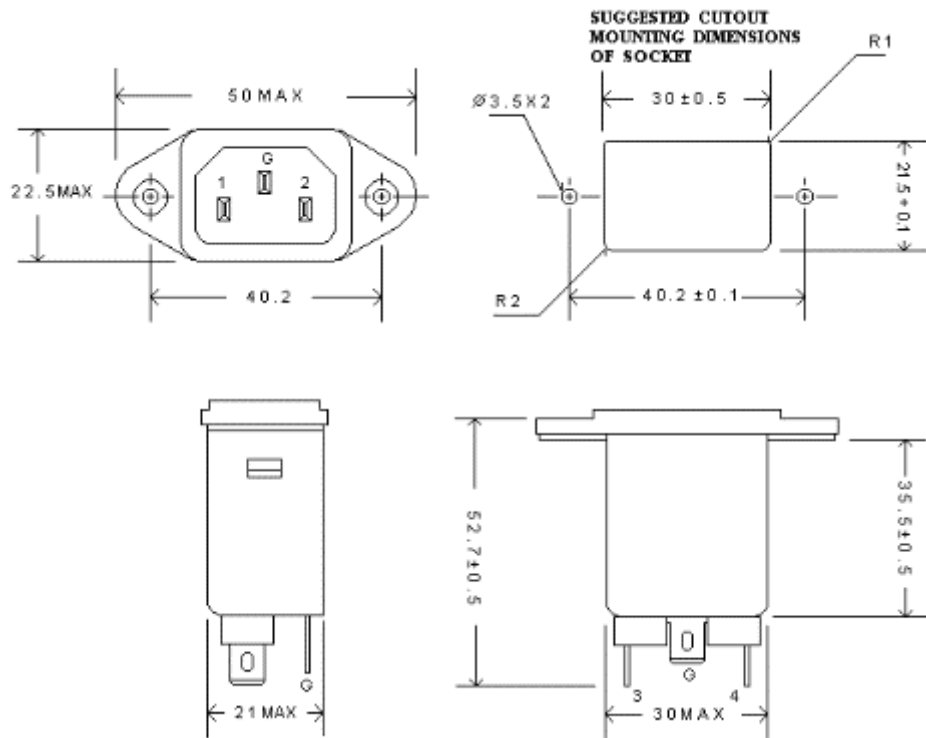
COMMON MODE (LINE TO GROUND) IN 50 OHM SYSTEM							
TYPE	CURRENT	FREQUENCY-MHZ					
	RATING	0.15	0.5	1.0	5.0	10.0	30.0
YB01T1/YB01T3	1A	18	19	22	36	35	44
YB03T1/YB03T3	3A	20	27	32	37	38	48
YB06T1/YB06T3	6A	12	18	24	38	41	37
YB10T1/YB10T3	10A	6	15	20	32	36	43
DIFFERENTIAL MODE (LINE TO LINE) IN 50 OHM SYSTEM							
YB01T1/YB01T3	1A	8	17	23	41	39	44
YB03T1/YB03T3	3A	7	18	26	38	42	45
YB06T1/YB06T3	6A	6	16	21	45	44	43
YB10T1/YB10T3	10A	4	14	19	35	43	41

4. 線路圖

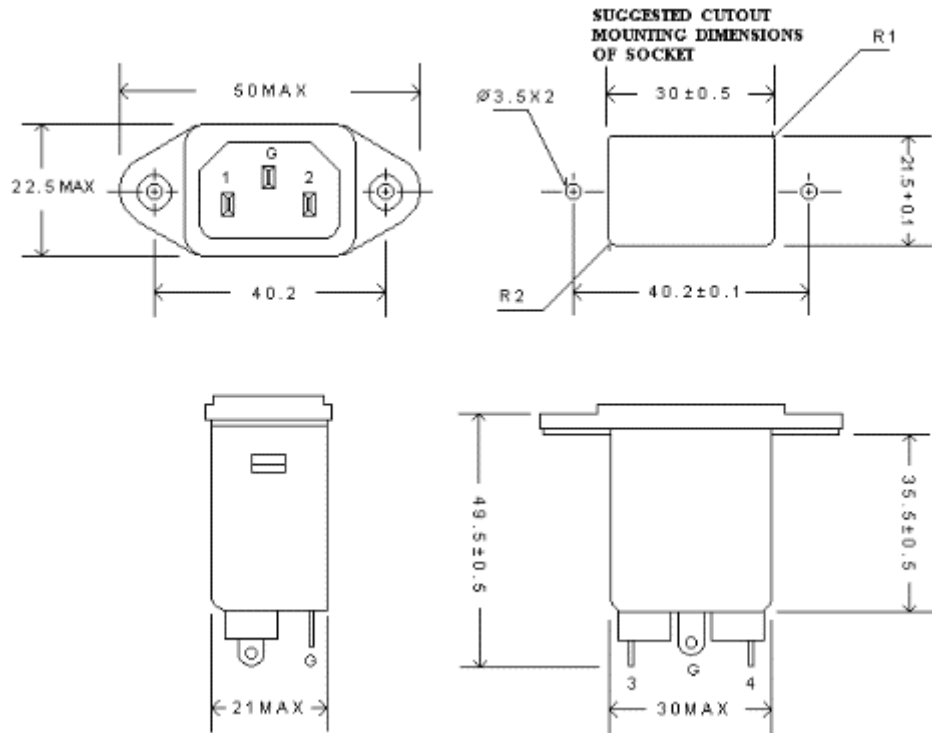


5.尺寸圖

YB01T1~YB10T1



YB01T3~YB10T3



大豪电子
电话: 0755-83233025
<http://www.szdahao.com>
<http://www.very-tec.com>