

MODEL TL-4986

International size reference: ER22G75

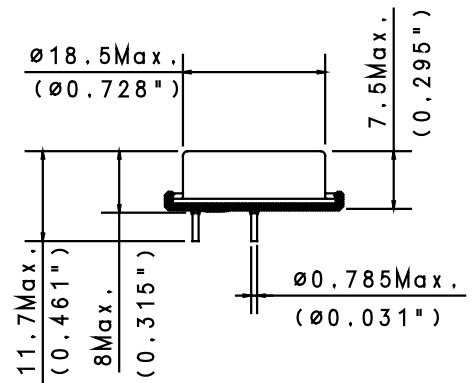
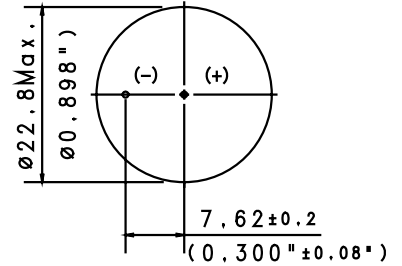
大豪电子
 电话: 0755-83233025
<http://www.szdahao.com>
<http://www.very-tec.com>

TECHNICAL DATA

(Typical values @+25°C for batteries stored for one year or less)

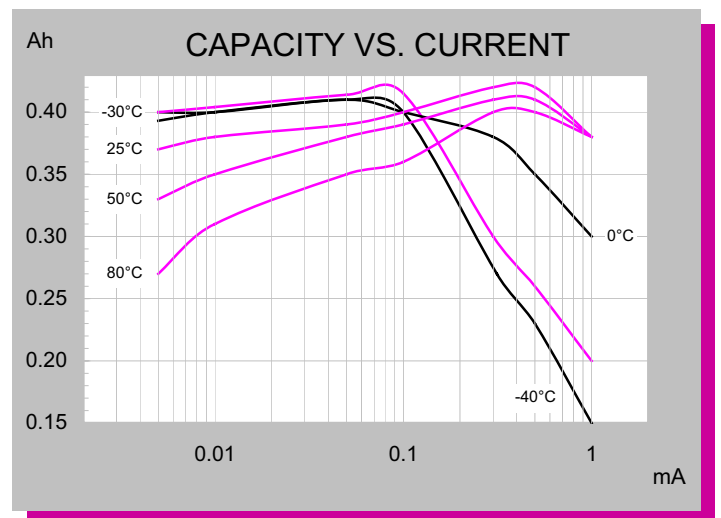
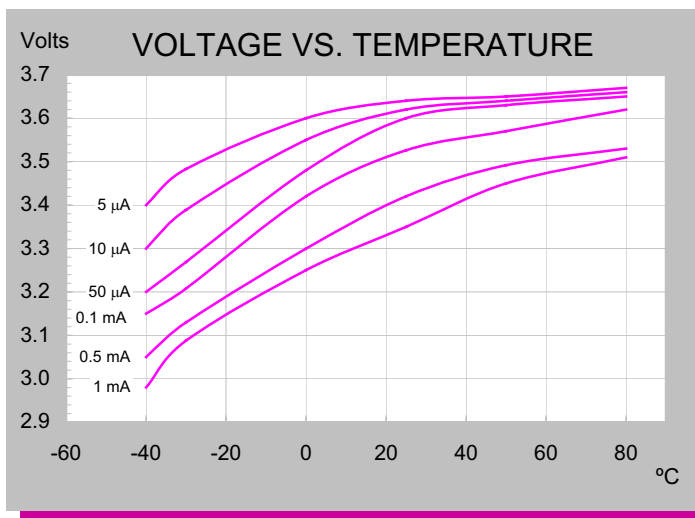
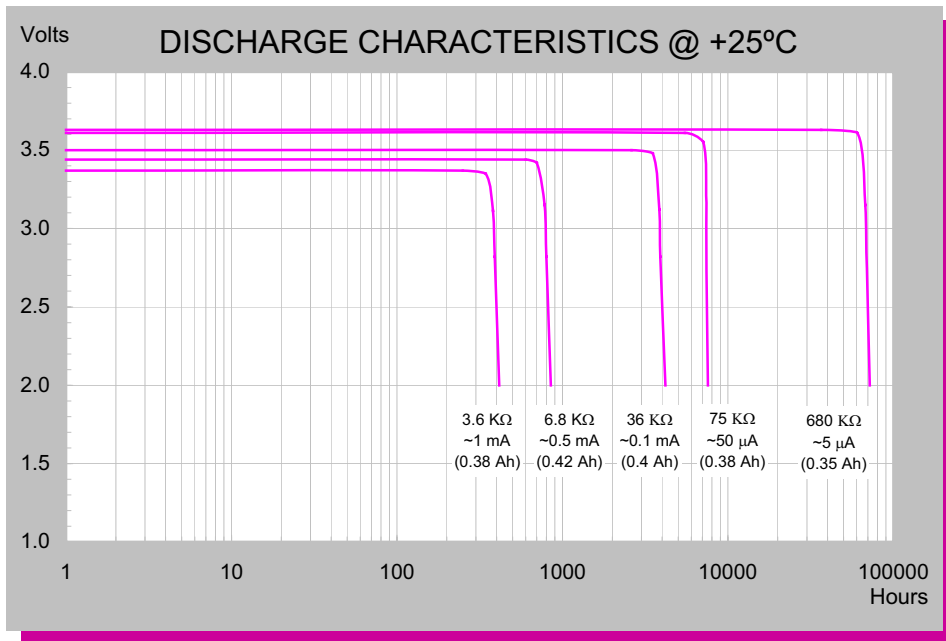
■ Nominal capacity @ 0.5 mA, to 2 V	0.42 Ah
■ Rated voltage	3.6 V
■ Maximum recommended continuous current	5 mA
■ Maximum 1 sec. pulse capability	10 mA
■ Weight	6 g (0.211 oz)
■ Volume	2.1 cc
■ Operating temperature range	-55 °C to +85 °C
■ U.L. Component Recognition MH 12193	

TADIRAN LITHIUM BATTERIES



ADDITIONAL INFORMATION

SUFFIX- /P TIN PLATED NICKEL PINS
 CATALOGUE NO.: 15-4986-43000



XOL - Extended Operating Life

Note: Any presentations in this data sheet concerning performance are for information purpose only and are not construed as warranties either expressed or implied, of future performance.

ECN 1501186 Rev. E 01/06