

MODEL TL-2450

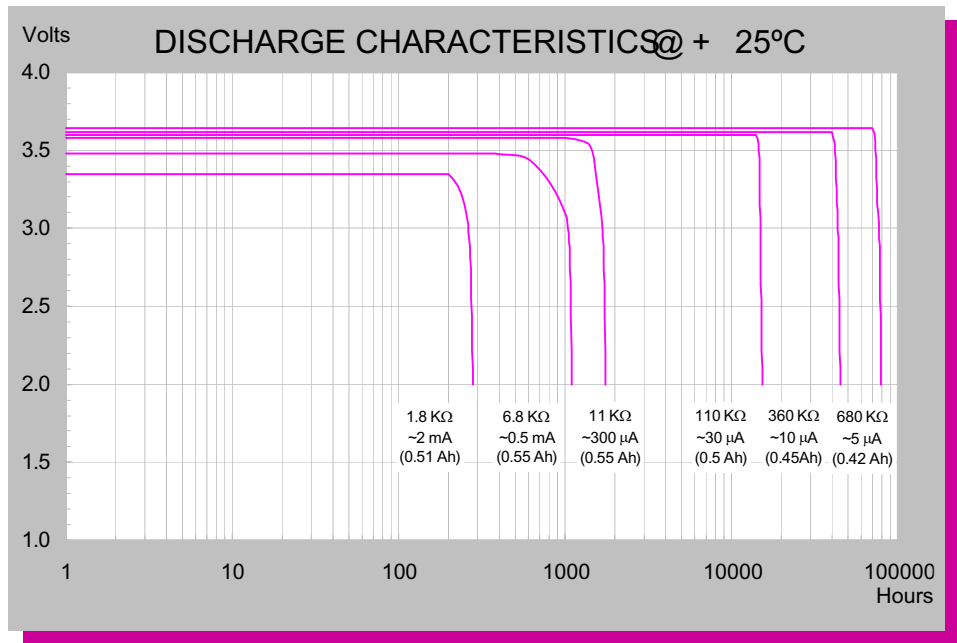
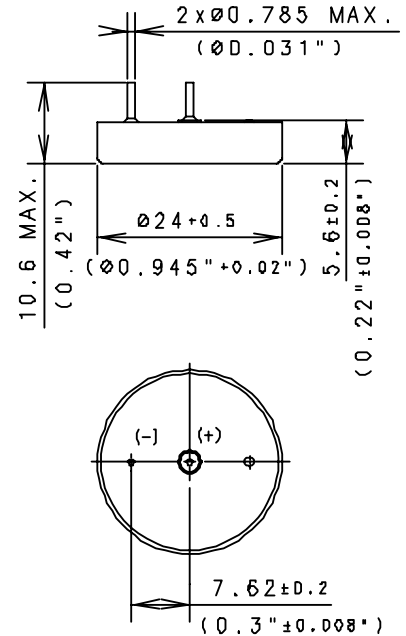
大豪电子
 电话: 0755-83233025
<http://www.szdahao.com>
<http://www.very-tec.com>

TADIRAN LITHIUM BATTERIES

TECHNICAL DATA

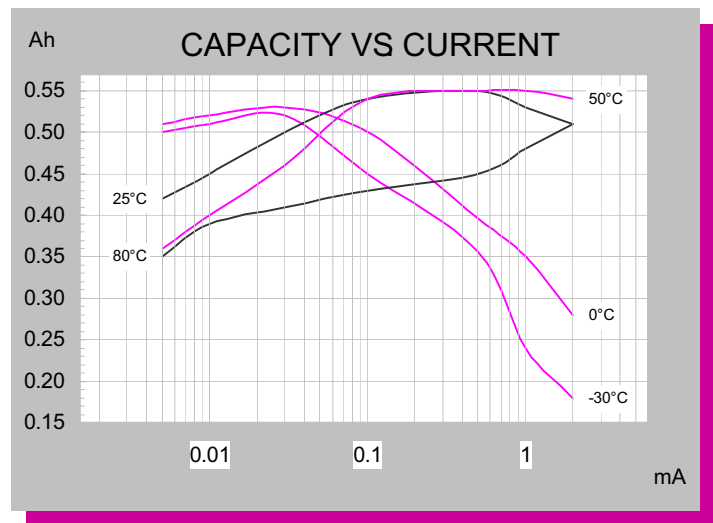
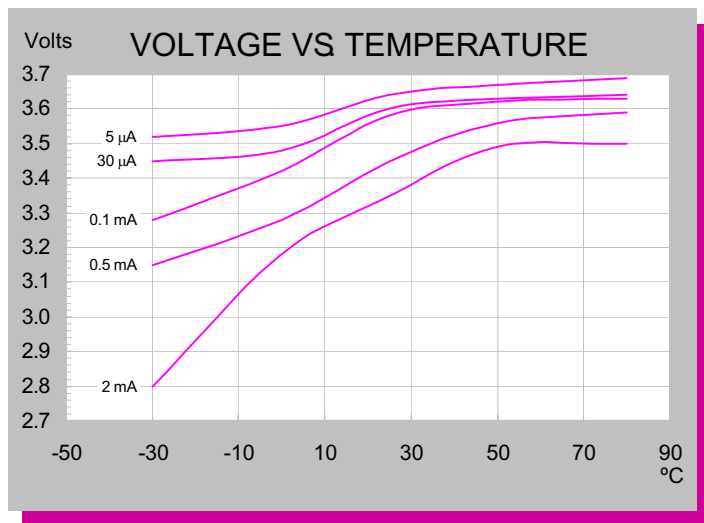
(Typical values @+25°C for batteries stored for one year or less)

- Nominal capacity @ 0.5 mA, to 2V 0.55 Ah
 - Rated voltage 3.6 V
 - Maximum recommended continuous current 5 mA
 - Maximum pulse current capability 10 mA
 - Weight 8.8g (0.310 oz)
 - Volume 2.60 cc
 - Operating temperature range -55°C to +85°C
 - Li metal content approx. 0.2 g
- U.L. Component Recognition MH 12193



ADDITIONAL INFORMATION

SUFFIX - /P TIN PLATED NICKEL PINS
 CATALOGUE NO.: 15-2450-41020



iXtra - Long Term High Performance

Note: Any presentations in this data sheet concerning performance are for information purpose only and are not construed as warranties either expressed or implied, of future performance. Rev. B 02/11 ECN 1502262