

## XC系列线簧插孔式压接电连接器 XC series wire spring socket crimping electrical connectors

XC系列线簧插孔式压接电连接器，符合GJB2889标准。同一型号对应的插头、插座可以互配。该系列连接器连接方式为卡口式快速连接、压接接触件，插孔采用线簧机构，插拔力柔和，接触电阻小。具有耐环境、操作方便、可靠性好等特点。广泛用于航空、航天、航海、通讯、工交电力、邮电铁路系统等电气及电子设备的线路连接。

XC series connectors are made conforming to the State's military standard GJB2889. The same type of plugs and receptacles can be interchanged. They have latest design and high reliability. It use wire spring for socket, and crimp or solder termination for the wires of pins and sockets. The plug and receptacle may be mounted with pins or sockets on request. These connectors are widely used for the electric circuit connection in such fields as aerospace, aviations, navigation telecommunications and electronic equipment.



### 使用环境条件:

Environmental Requirement:

环境温度:  $-55^{\circ}\text{C} \sim +200^{\circ}\text{C}$

相对湿度: 温度 $+40^{\circ}\text{C}$ , 为95%

大气压力: 101.33KPa ~ 1.33KPa

正弦振动: 10 ~ 2000Hz, 加速度 $147\text{m/s}^2$

冲击: 加速度 $490\text{m/s}^2$

盐雾: 符合GJB101A标准

密封性: 耐压 $\geq 0.15\text{MPa}$

Environmental Temperature:  $-55^{\circ}\text{C} \sim +200^{\circ}\text{C}$

Relative Humidity: 95%, at  $+40^{\circ}\text{C}$

Atmospheric Pressure: 101.33KPa ~ 1.33KPa

Sinusoidal Vibration: 10 ~ 2000Hz,  $147\text{m/s}^2$

Shock:  $490\text{m/s}^2$

Salt Spray: Conforming to Standard GJB101A

Tightness:  $\geq 0.15\text{Mpa}$

### 主要技术特性(正常条件下):

Technical Features (Under Normal Condition)

额定电流: Rated Current

接触对直径 Contact diameter	$\varnothing 1$	$\varnothing 1.5$	$\varnothing 2$	$\varnothing 3$
额定电流 Rated Current	5A	10A	20A	40A

接触电阻: Contact Resistance

接触对直径 Contact diameter	$\varnothing 1$	$\varnothing 1.5$	$\varnothing 2$	$\varnothing 3$
接触电阻 Contact Resistance	$\leq 5\text{m}\Omega$	$\leq 2.5\text{m}\Omega$	$\leq 1.25\text{m}\Omega$	$\leq 0.7\text{m}\Omega$

绝缘电阻 Insulation Resistance:  $\geq 3000\text{M}\Omega$

额定电压 Rated Voltage: 500V

耐压 Dielectric Withstand Voltage: 1500V

寿命 Durability: 1000次

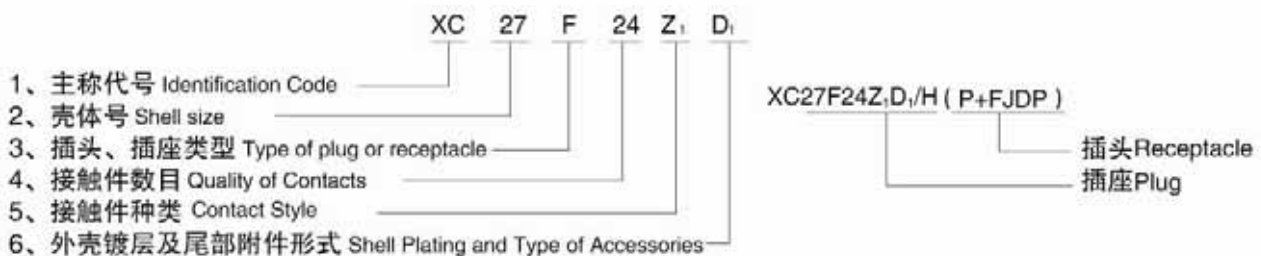
### 型号标志示例: Type Designation

插座(插头)型号示例:

Receptacle (Plug) Type

电连接器型号示例:

Electrical Connectors Type



# XC系列线簧插孔式压接电连接器 XC series wire spring socket crimping electrical connectors

## 型号标记说明: Type Designation

序号 NO	分类特征 Type Designation	分类内容 Type	标记内容 Design	
1	主称代号 Identification Code	线簧插孔式压接 XC series wire spring socket crimping	XC	
2	壳体号 Shell size	14、18、22、24、27、30、33、36、39	标出数字 Number	
3	插头、插座类型 Type of plug or receptacle	插头 plug	T	
		方法兰盘式插座 Square flange receptacle	F	
		圆法兰盘式插座 Circular flange receptacle	Y	
4	接触件数目 Quantity of Contacts	见“接触件数目及排列” To “The Number and arrangement of contacts”	标出数字 Number	
5	接触件种类 Contact Style	插针 Pin	镀银 Silver Plating	Z
			镀金 Gold Plating	Z1
		插孔 Socket	镀银 Silver Plating	K
			镀金 Gold Plating	K1
		密封插座接触件 Sealed Receptacle Contact	镀银 Silver Plating	M
			镀金 Gold Plating	M1
6	外壳镀层及尾部附件形式 Shell Plating and Type of Tail Accessories	尾部无螺纹、无附件、阳极氧化 Without thread and accessories, anodic passivation	(不标) No mark	
		尾部无螺纹、无附件、镀锌彩虹色钝化 Without thread and accessories	D	
		尾部无螺纹、无附件、化学镀镍 Without thread and accessories, chemical-plating	D1	
		尾部无螺纹、无附件、镀锌军绿色钝化 Without thread and accessories	D3	
		尾部装直式电缆夹、阳极氧化 With straight cable clips, anodic passivation	H	
		尾部装直式屏蔽螺帽、镀锌彩虹色钝化 Rainbow Passivation of Zinc Coating	HP	
		尾部装直式屏蔽螺帽、化学镀镍 Straight shielded screw, chemical-plating	HP1	
		尾部装直式屏蔽螺帽、镀锌军绿色钝化 Grass Green Passivation of Zinc Coating	HP3	
		尾部有螺纹、选配附件、阳极氧化 With thread and accessories, anodic passivation	E	
		尾部有螺纹、选配附件、镀锌彩虹色钝化 With thread and accessories	P	
		尾部有螺纹、选配附件、化学镀镍 With thread and accessories, chemical-plating	P1	
		尾部无螺纹、无附件、镀锌军绿色钝化 Without thread and accessories	P3	
		尾部装弯式电缆夹、阳极氧化 Clamped elbow cable, anodic passivation	W	
		尾部装弯式屏蔽电缆夹、镀锌彩虹色钝化 Clamped elbow cable shield	WP	
		尾部装弯式屏蔽电缆夹、化学镀镍 Clamped elbow cable shield, chemical-plating	WP1	
		尾部装弯式屏蔽电缆夹、镀锌军绿色钝化 Clamped elbow cable shield	WP3	

- 注：1)、电连接器的型号用分数形式，完整的插座型号作分子，只将插头型号的第六项作分母，中间用“/”隔开。  
 2)、插头、插座型号在产品上标出。电连接器型号只作客户订货和工厂生产管理用。  
 3)、选配附件在产品型号后加“+”再注明选配附件代号

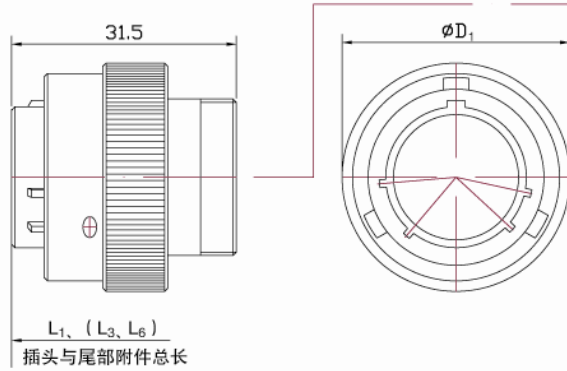
## 接触件与导线连接: Connection between contact and wire

接触件规格 Contact Diameter	适配导线内芯最大截面积mm <sup>2</sup> Suitable wire max sectional-area/mm <sup>2</sup>
Ø1	0.75
Ø1.5	1.5
Ø2	3
Ø3	5

# XC系列线簧插孔式压接电连接器 XC series wire spring socket crimping electrical connectors

## 外形示意图: Outer Dimensions

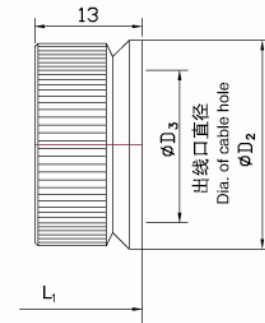
插头: Plug



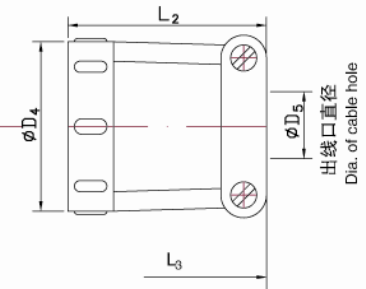
注: 三种尾部附件是随产品型号一起命名的, 不单独供货。  
选配附件可由用户根据需要选用。

尾部附件: Tail Accessory

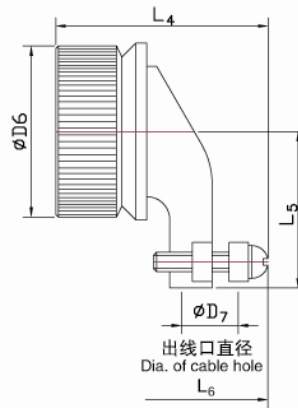
屏蔽螺帽: Shielded screw



直式电缆夹: Straight cable clamping



弯式电缆夹: Right cable clamping

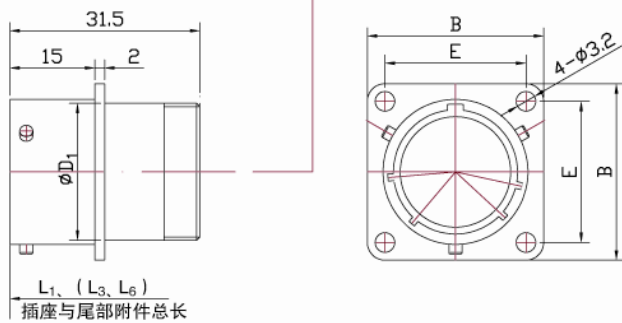


壳体号	14	18	22	24	27	30	33	36	39
D <sub>1</sub>	24	28	32	34	37	40	43	46	49
D <sub>2</sub>	18	22	26	28	31	34	37	40	43
D <sub>3</sub>	10	14	18	20	23	26	29	32	35
L <sub>1</sub>	39.5	39.5	39.5	39.5	39.5	39.5	39.5	39.5	39.5
D <sub>4</sub>	16	20	24	26	29	33	36	39	42
D <sub>5</sub> min	5.5	8.5	8.5	10.5	10.5	15	15	21	21
D <sub>5</sub> max	8	13	13	18	18	23	23	28	28
L <sub>2</sub>	22	22	25	25	25	30	30	30	30
L <sub>3</sub>	48.5	48.5	51.5	51.5	51.5	56.5	56.5	56.5	56.5
D <sub>6</sub>	22	26	30	32	35	38	40	44	46
D <sub>7</sub> min	5	8	8	10	10	14	14	20	20
D <sub>7</sub> max	11	15	19	21	24	26	29	32	35
L <sub>4</sub>	37.5	39.5	41.5	45.5	45.5	53.5	53.5	55.5	55.5
L <sub>5</sub>	21	23	25	26	27.5	29.5	31	32.5	34
L <sub>6</sub>	63.5	65.5	69.5	71.5	71.5	79.5	79.5	81.5	81.5

# XC系列线簧插孔式压接电连接器 XC series wire spring socket crimping electrical connectors

## 外形示意图(续): Outer Dimensions

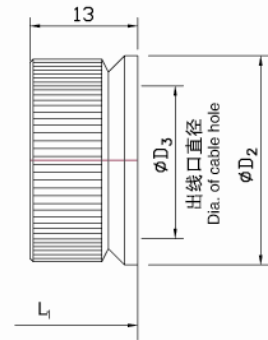
方法兰盘插座: Square Flange Receptacle



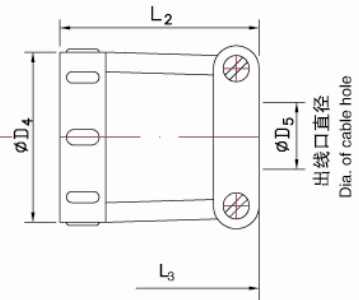
- 注: 1)、方法兰盘插座分尾部有螺纹、无螺纹两种, 其外形尺寸一致, 上图是尾部有螺纹的方法兰盘插座。  
2)、三种尾部附件是随产品型号一起命名的, 不单独供货。选配附件可由用户根据需要选用。

尾部附件: Tail Accessory

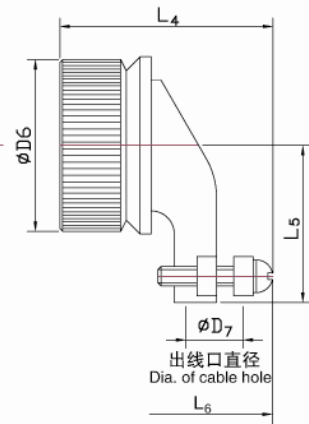
屏蔽螺帽: Shielded Screw



直式电缆夹: Straight Cable Clamping



弯式电缆夹: Right Cable Clamping

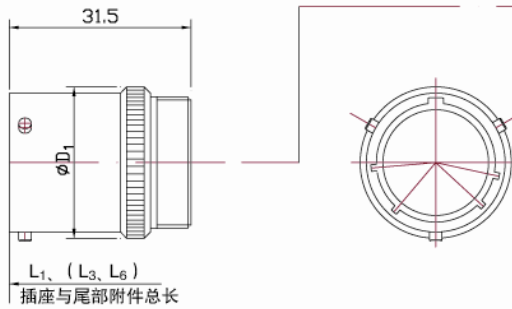


壳体号	14	18	22	24	27	30	33	36	39
D <sub>1</sub>	14	18	22	24	27	30	33	36	39
B	25	27.5	30	32	34.5	36.5	39.5	41	43
E	19	21.5	24	26	28	30	32.5	34	36
D <sub>2</sub>	18	22	26	28	31	34	37	40	43
D <sub>3</sub>	10	14	18	20	23	26	29	32	35
L <sub>1</sub>	39.5	39.5	39.5	39.5	39.5	39.5	39.5	39.5	39.5
D <sub>4</sub>	16	20	24	26	29	33	36	39	42
D <sub>5min</sub>	5.5	8.5	8.5	10.5	10.5	15	15	21	21
D <sub>5max</sub>	8	13	13	18	18	23	23	28	28
L <sub>2</sub>	22	22	25	25	25	30	30	30	30
L <sub>3</sub>	48.5	48.5	51.5	51.5	51.5	56.5	56.5	56.5	56.5
D <sub>6</sub>	22	26	30	32	35	38	40	44	46
D <sub>7min</sub>	5	8	8	10	10	14	14	20	20
D <sub>7max</sub>	11	15	19	21	24	26	29	32	35
L <sub>4</sub>	37.5	39.5	41.5	45.5	45.5	53.5	53.5	55.5	55.5
L <sub>5</sub>	21	23	25	26	27.5	29.5	31	32.5	34
L <sub>6</sub>	63.5	65.5	69.5	71.5	71.5	79.5	79.5	81.5	81.5

# XC系列线簧插孔式压接电连接器 XC series wire spring socket crimping electrical connectors

## 外形示意图(续): Outer Dimensions

圆法兰盘插座: Circular Flange Receptacle

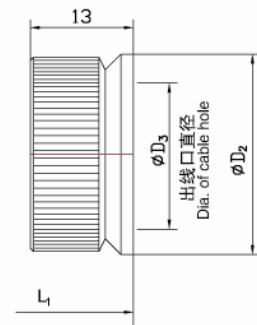


注: 三种尾部附件是随产品型号一起命名的, 不单独供货。  
选配附件可由用户根据需要选用。

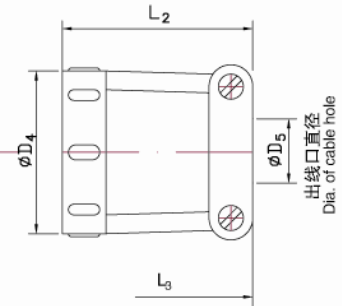
壳体号	14	18	22	24	27	30	33	36	39
D <sub>1</sub>	17	21	25	27	30	33	36	39	42
D <sub>2</sub>	18	22	26	28	31	34	37	40	43
D <sub>3</sub>	10	14	18	20	23	26	29	32	35
L <sub>1</sub>	39.5	39.5	39.5	39.5	39.5	39.5	39.5	39.5	39.5
D <sub>4</sub>	16	20	24	26	29	33	36	39	42
D <sub>5</sub> min	5.5	8.5	8.5	10.5	10.5	15	15	21	21
D <sub>5</sub> max	8	13	13	18	18	23	23	28	28
L <sub>2</sub>	22	22	25	25	25	30	30	30	30
L <sub>3</sub>	48.5	48.5	51.5	51.5	51.5	56.5	56.5	56.5	56.5
D <sub>6</sub>	22	26	30	32	35	38	40	44	46
D <sub>7</sub> min	5	8	8	10	10	14	14	20	20
D <sub>7</sub> max	11	15	19	21	24	26	29	32	35
L <sub>4</sub>	37.5	39.5	41.5	45.5	45.5	53.5	53.5	55.5	55.5
L <sub>5</sub>	21	23	25	26	27.5	29.5	31	32.5	34
L <sub>6</sub>	63.5	65.5	69.5	71.5	71.5	79.5	79.5	81.5	81.5

尾部附件: Tail Accessory

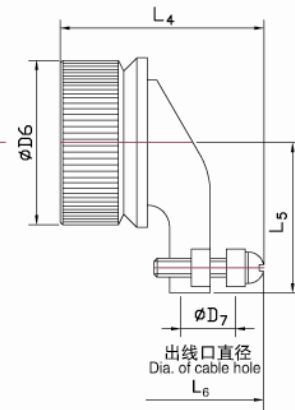
屏蔽螺帽: Shielded Screw



直式电缆夹: Straight Cable Clamping

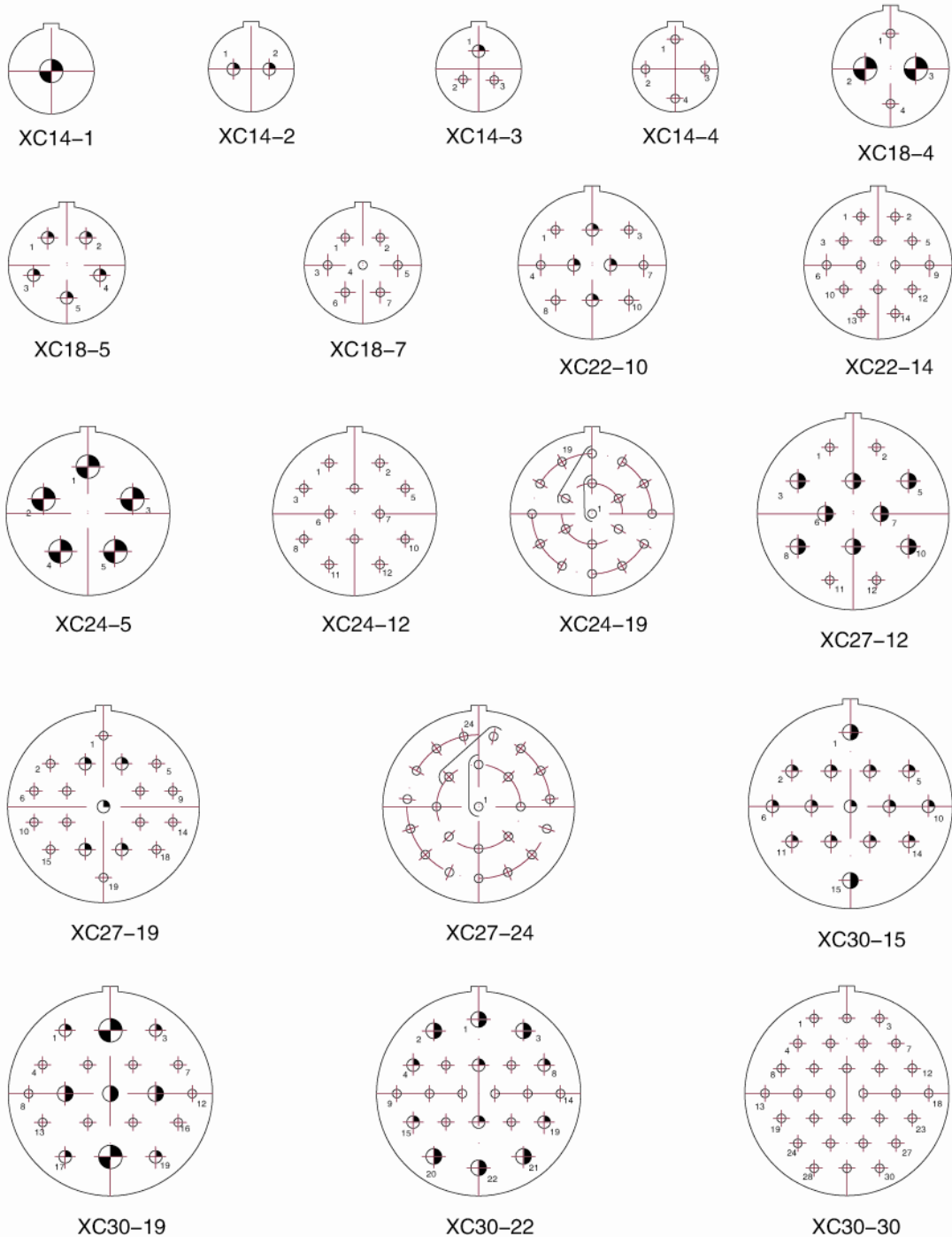


弯式电缆夹: Right Cable Clamping



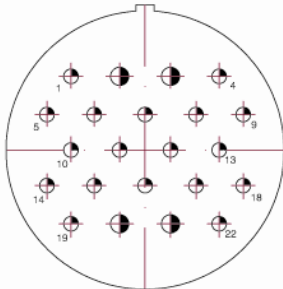
# XC系列线簧插孔式压接电连接器 XC series wire spring socket crimping electrical connectors

## 接触件数目及排列: The Number and Arrangement of Contacts

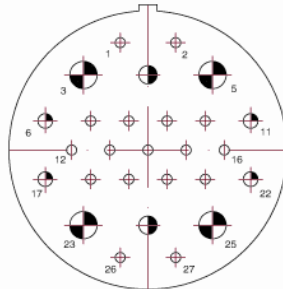


**XC系列线簧插孔式压接电连接器** XC series wire spring socket crimping electrical connectors

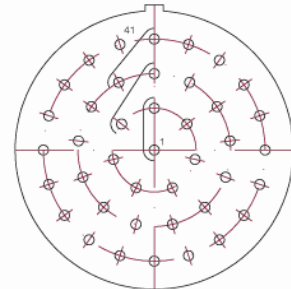
接触件数目及排列(续): The Number and Arrangement of Contacts



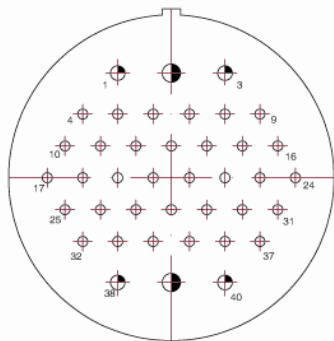
XC33-22



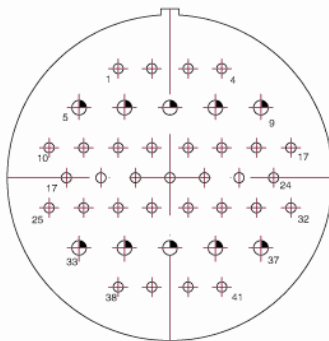
XC33-27



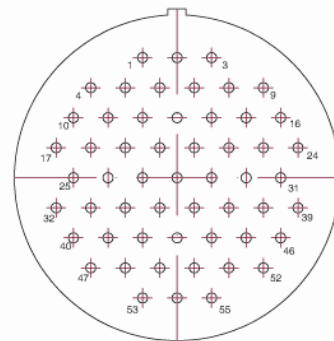
XC33-41



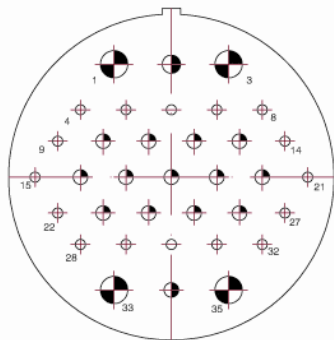
XC36-40



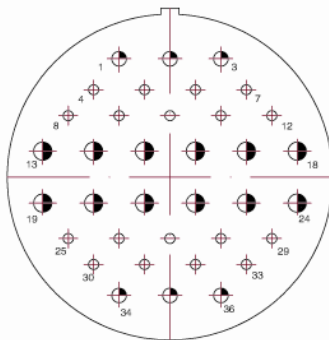
XC36-41



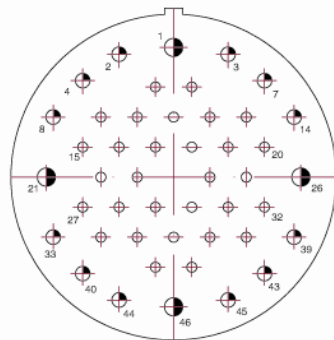
XC36-55



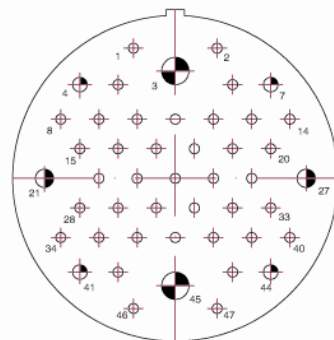
XC39-35



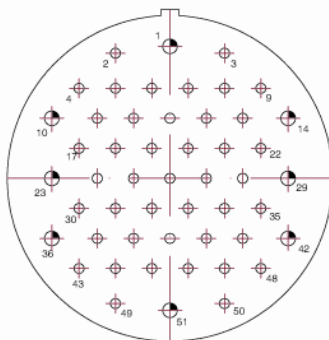
XC39-36



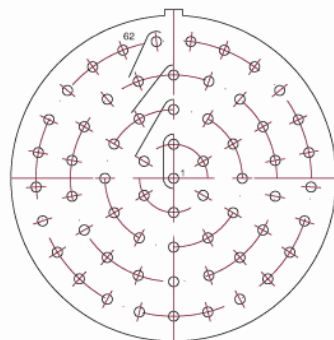
XC39-46



XC39-47



XC39-51



XC39-62

**大豪电子**  
 电话: 0755-83233025  
<http://www.szdahao.com>  
<http://www.very-tec.com>