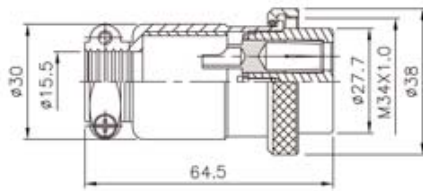
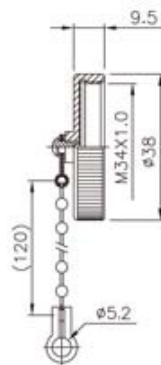


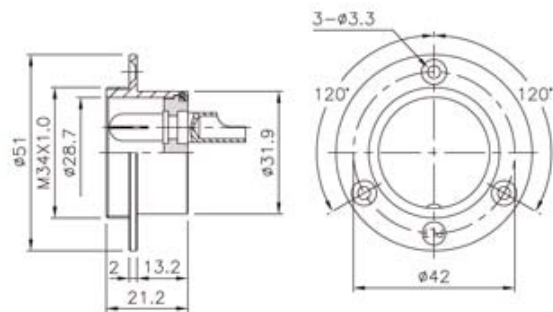
**大豪电子**  
电话:0775-83233025  
<http://www.szdahao.com>  
<http://www.very-tec.com>



**PLT-32-P**



**PLT-32-RCa**



**PLT-32-R**

◆ No. of contacts	2	3					
Contacts Configuration							
Rated current / voltage	30A 250V	30A 250V					
Operation limit voltage (AC.V.rms)	400	400					
Withstanding voltage (AC.V.rms) 1 minute	2000	2000					
Insulation resistance (MΩ MIN.) at DC 500V	2000	2000					
Contact resistance (MΩ MAX.) at DC 1A	5	5					
Solder inter diameter	6	6					