



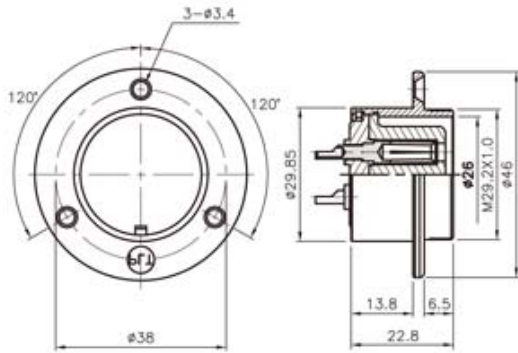
OUTPUT TYPE

PLK Series - Output Type

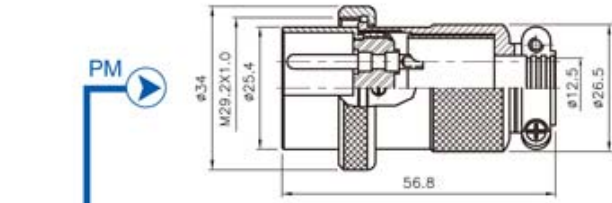


SINCE 1978
APEX CONNECTOR

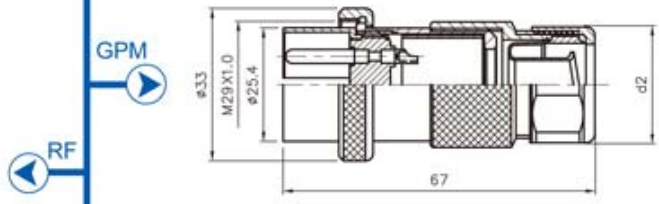
大豪电子
电话: 0775-83233025
<http://www.szdahao.com>
<http://www.very-tec.com>



PLK-30-RF

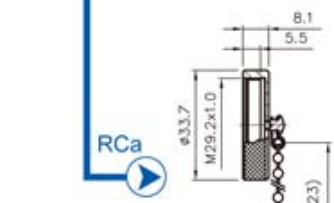


PLK-30-PM

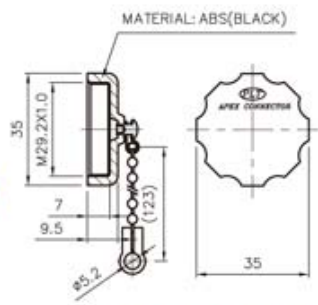


PLK-30-GPM

	d1	d2
3/8"	Ø10.8	Ø26.3
1/2"	Ø14.5	Ø31.2



PLT-30-RCa



PLT-30A-RCa

◆ No. of contacts	4	7					
Contacts Configuration							
	TUV	TUV					
Rated current / voltage	15A 250V	15A 250V					
Operation limit voltage (AC.V.rms)	400	400					
Withstanding voltage (AC.V.rms) 1 minute	2000	1800					
Insulation resistance (MΩ MIN.) at DC 500V	2000	2000					
Contact resistance (MΩ MAX.) at DC 1A	3	3					
Solder inter diameter	3.5	3					